

Plus with system

Dear Mr Großmann,

Unlock enormous potential with OWIS Engineering!

OWIS develops and produces optical beam handling and positioning systems. Linear axes and XY stages, goniometers, beam handling systems, optical components - the variety and combinability makes the OWIS product portfolio the perfect modular system for individual applications or laboratory setups in photonics. Renowned research institutions and industrial companies have trusted in the precision, accuracy and reliability of the proven OWIS products for over 40 years.

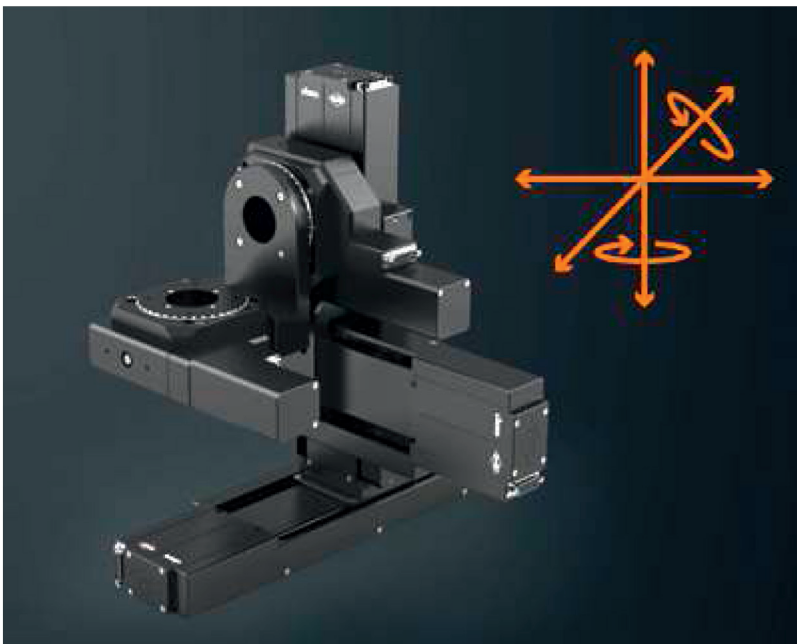
From component to system



With OWIS Engineering: multi-axis system for workpiece positioning developed specifically for the application

In the newly created OWIS Engineering business unit, the proven OWIS products are refined with engineering performance and experience into application-specific systems. „Highly accurate components are turned into high-precision systems and subsystems, which are individually tailored to customer requirements,“ says Managing Director Rüdiger Ruh, explaining the strategic reorientation. Thanks to the high vertical range of manufacture, components are produced and assembled quickly and flexibly at OWIS. Constant controls ensure the highest quality. With high-precision measurement, OWIS guarantees the required performance data. Rüdiger Ruh is convinced: "Our offer provides our customers with enormous added value. Combination, simplification and optimization result in a better price-performance ratio, smaller size and higher quality."

Perfect development partner for individual solutions



Dr.-Ing. Dominik Zimmermann, Head of business unit OWIS Engineering

Dr. Dominik Zimmermann has headed the new OWIS Engineering business unit since April 2021. Zimmermann, who studied at the University of Freiburg and holds a doctorate in microsystems engineering, brings several years of experience in research and development. Stations in semiconductor technology (Micronas GmbH) as well as laser technology and optomechanics (Z-LASER GmbH) make him the perfect development partner for individual solutions. „Plug-and-play positioning systems with individual plus – that's what OWIS Engineering stands for “ promises Dr. Dominik Zimmermann. „We provide support for application-specific customizing, for the fast and flexible setup of alignment and handling systems, or when it comes to further developing a laboratory setup into a production-ready series product. Our customers receive a perfectly matched system and can concentrate on their own core competence!“

OWIS presents further information, typical applications and practical examples on the new website at [owis.eu/en/engineering](https://www.owis.eu/en/engineering).

With kind regards from Staufen,

your OWIS-Team